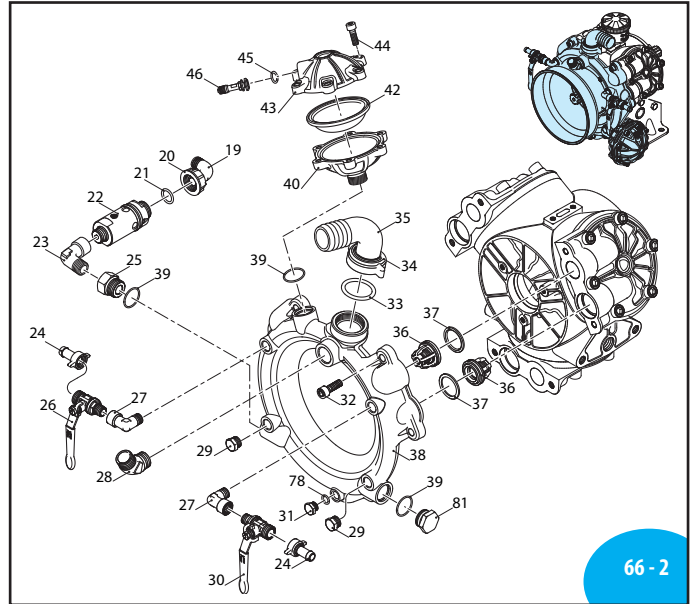


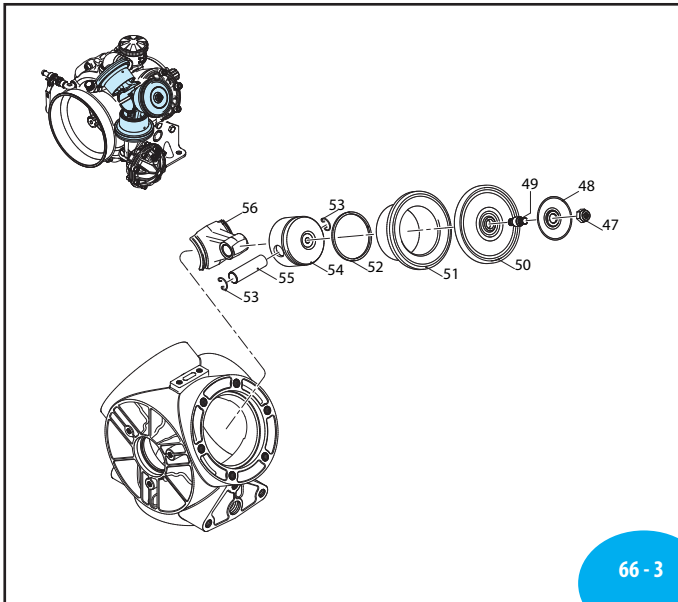
66 - 1

SL000013-GA



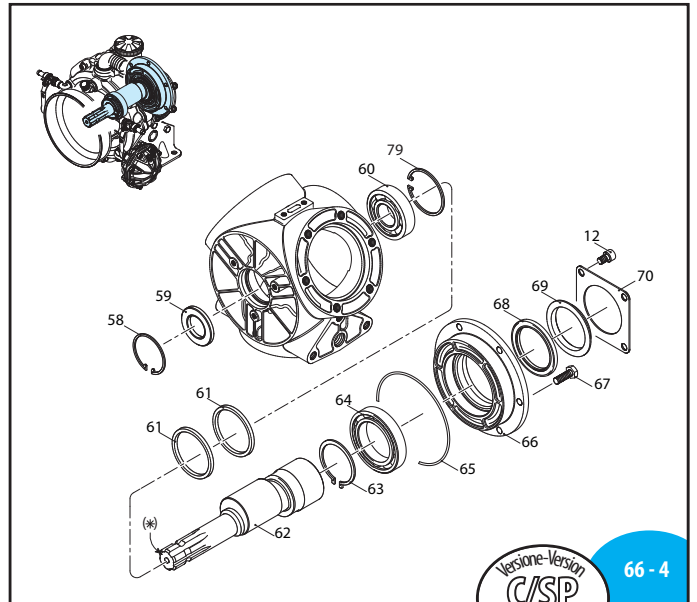
66 - 2

SL000101-EY



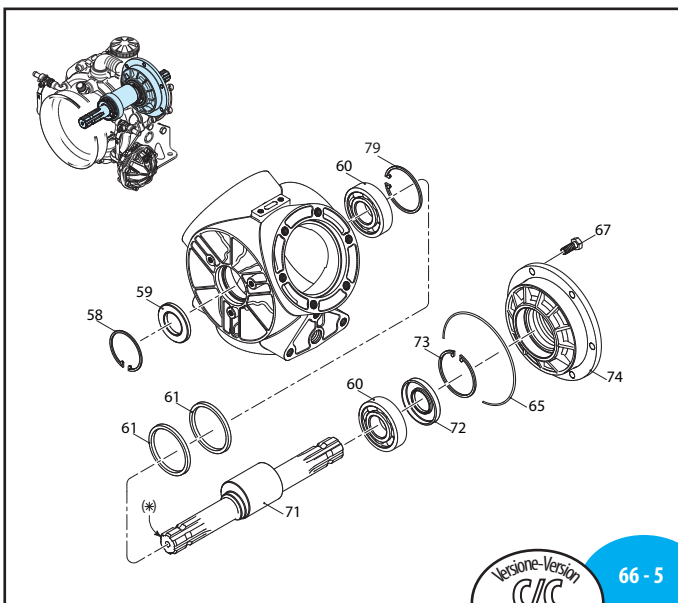
66 - 3

SL000015-GA



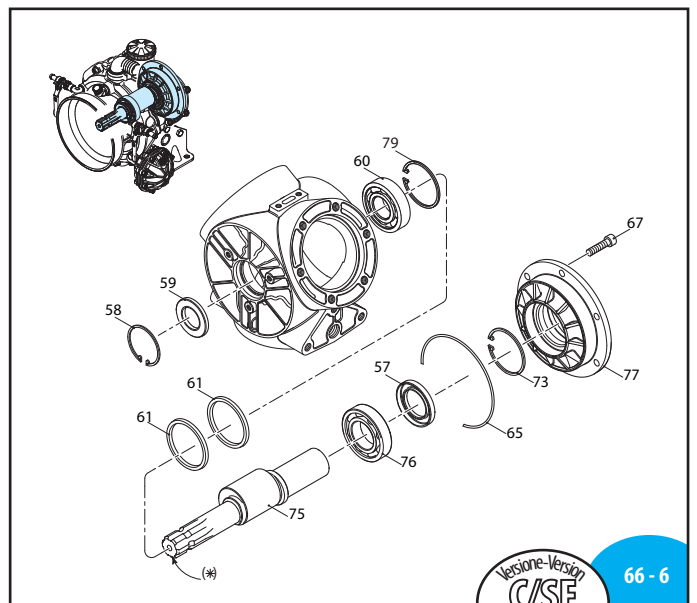
66 - 4

SL000066-EZ



66 - 5

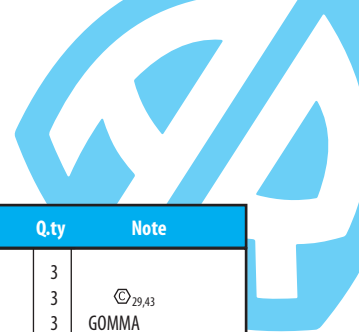
SL000067-EZ



66 - 6

SL000068-EZ

BHS 90 - BHS 105 - BHS 120



Pos.	Cod.	Descrizione	Description	Q.ty	Note
↑	750051	Tappo serbatoio verde	Green oil tank cap	1	BHS 90
	1800060	Tappo serbatoio nero	Black oil tank cap	1	BHS 105
	750050	Tappo serbatoio rosso	Red oil tank cap	1	BHS 120
2	1040060	OR 72,69x2,62	O-Ring	1	▶
3	680350	Vite TCEI M 8x35	Bolt	2	⊗ _{19,62}
4	380241	Rosetta ø 8,5	Washer	2	
5	750030	Serbatoio olio	Oil tank	1	
6	750040	Guarnizione	Gasket	1	⊗
7	2660010	Corpo pompa	Pump body	1	
8	2660050	Vite TCEI M 12x45	Bolt	15	⊗ _{49,05}
9	2660031	Testa SX	Left head	1	
10	540210	Vite TE M 12x25	Bolt	6	⊗ _{49,05}
11	2680100	Piede	Base	2	
12	850250	Vite TCEI M 8x12	Bolt	7	⊗ _{19,62}
13	390311	Rosetta 8,5x17x1,5	Washer	3	
14	1500470	Protezione cardano	Cardan protection	1	
15	2660030	Testa DX	Right head	2	
16	820361	Tappo 1/2" G	Plug	2	⊗ _{19,62}
17	180101	OR 17,5x2	O-Ring	2	▶
18	2660040	Vite TCEI M 12x60	Bolt	3	⊗ _{49,05}
19	550460	Curva ø 18	Elbow	1	
20	550450	Girello 3/4 G	Ring nut	1	
21	880831	OR 15,54x2,62	O-Ring	1	▶
22	1609002	Valvola di sicurezza	Safety valve	1	■
23	881560	Manicotto	Threaded adapter	1	⊕
24	110131	Racc.1/2"G+ tub. ø10+guarniz.	Fitting 1/2"G+hose ø10+ gasket	2	
25	2660060	Raccordo	Fitting	1	⊕
26	130492	Rubinetto 3/8"-1/2" SX	Left valve	1	⊕
27	2240260	Gomito 3/8" G (M)-(F)	Elbow	2	
28	851650	Curva di mandata 3/4" G	Elbow	1	⊕
29	880530	Tappo 3/8" G	Plug	2	⊕⊗ _{19,62}
30	130491	Rubinetto 3/8"-1/2" DX	Right valve	1	⊕
31	880581	Tappo 1/4" G	Plug	1	⊗ _{19,62}
32	540300	Vite TCEI M 10x30	Bolt	6	⊗ _{39,24}
33	390210	OR 39,69x3,53	O-Ring	1	▶
34	2240200	Girello 1"3/4 G	Ring nut	1	
35	2240211	Curva ø 40	Elbow	1	
36	759051	Valvola	Valve	6	
37	680070	OR 31,5x4,25	O-Ring	6	▶
38	2660021	Condotta aspirazione	Suction manifold	1	
39	720030	OR 22,22x2,62	O-Ring	2	▶
40	2660070	Semisfera inferiore	Lower air chamber	1	■
42	800190	Semicamera aria	Semi air chamber	1	
43	2660080	Semicamera aria sup.	Semi air chamber	1	
44	540290	Vite TCEI M 8x40	Bolt	8	⊗ _{19,62}
45	650542	Guarnizione	Gasket	1	▶
46	180020	Valvola di gonfiaggio	Air valve	1	⊕
47	2240110	Dado M 10	Nut	3	⊗ _{29,43}

Pos.	Cod.	Descrizione	Description	Q.ty	Note
48	580090	Piattello rich. membr.	Plate	3	
49	2240100	Perno membrana	Diaphragm pin	3	⊗ _{29,43}
	550080	Membrana	Diaphragm	3	GOMMA
	550084	Membrana	Diaphragm	3	VITON
	550085	Membrana	Diaphragm	3	DESMOPAN
	550086	Membrana	Diaphragm	3	H.P.D.S.
	2680060	Camicia ø 72	Sleeve	3	BHS 90
	2680070	Camicia ø 72	Sleeve	3	BHS 105
	2680080	Camicia ø 72	Sleeve	3	BHS 120
52	260230	Segmento ø 72x3	Piston ring	3	
53	160691	Anellino spinotto ø 18	Pin ring	6	
54	2240060	Pistone ø 72	Piston	3	
55	260700	Spinotto øe 18x63	Piston pin	3	
56	2680090	Biella	Connecting rod	3	
57	2680130	Anello tenuta	Seal ring	1	⊗
58	200390	Seeger ø 62	Circlip	1	
59	2680110	Anello tenuta	Seal ring	1	⊗
60	230350	Cuscinetto	Bearing	1	⊗
61	2240540	Anello biella	Con rod ring	2	
	2680250	Albero eccentrico "C/SP"	"C/SP" shaft	1	BHS 90 (CI)
	2680260	Albero eccentrico "C/SP"	"C/SP" shaft	1	BHS 105 (CL)
	2680270	Albero eccentrico "C/SP"	"C/SP" shaft	1	BHS 120 (CM)
63	2680290	Anello seeger	Circlip	1	
64	2680280	Cuscinetto	Bearing	1	⊗
65	1400120	OR 145,72x2,62	O-Ring	2	⊗
66	2680241	Flangia supp. albero	Flange	1	
67	160670	Vite TE M 10x25	Bolt	6	⊕⊗ _{39,24}
68	1400150	Anello tenuta	Seal ring	1	⊗
69	1400110	Centraggio flangia	Flange spigot	1	
70	1400140	Flangia anello tenuta	Flange	1	
	2680170	Albero eccentrico "C/C"	"C/C" shaft	1	BHS 90 (CA)
	2680180	Albero eccentrico "C/C"	"C/C" shaft	1	BHS 105 (CB)
	2680190	Albero eccentrico "C/C"	"C/C" shaft	1	BHS 120 (CC)
72	2680120	Anello tenuta	Seal ring	1	
73	161050	Anello seeger	Circlip	1	
74	2680022	Flangia supp. cuscinetto	Flange	1	
	2680200	Albero eccentrico "C/F"	"C/F" shaft	1	BHS 90 (CD)
	2680210	Albero eccentrico "C/F"	"C/F" shaft	1	BHS 105 (CE)
	2680220	Albero eccentrico "C/F"	"C/F" shaft	1	BHS 120 (CF)
76	230310	Cuscinetto	Bearing	1	⊗
77	2680023	Flangia supp. cuscinetto	Flange	1	
78	820510	OR 10,82x1,78	O-Ring	1	▶
79	230340	Anello seeger	Circlip	1	
81	1140300	Tappo 3/4" G	Plug	1	⊗ _{39,32}
82	1554	Camera aria completa	Complete air chamber	1	

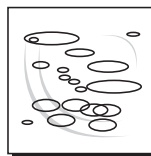
Alta Pressione in ottone
High Pressure brass



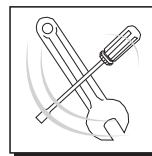
KIT 2367	
Membrane gomma Buna diaphragms	
KIT 2368	
Membrane HPDS HPDS diaphragms	
KIT 2369	
Membrane Desmopan Desmopan diaphragms	
Pos.	Q.ty
50	3



KIT 2445	
Valvole Valves	
Pos.	Q.ty
36	6
37	6



KIT 42205	
OR O-Rings	
Pos.	Q.ty
2	1
17	3
21	1
33	1
37	6
39	1
65	2
78	1



KIT 42206					
Pronto intervento Maintenance repair					
Pos.	Q.ty	Pos.	Q.ty	Pos.	Q.ty
1	1	65	2		
2	1	68	1		
19	1				
20	1				
21	1				
47	3				
49	3				
50	3				
57	1				
59	1				



Olio utilizzato	
Used oil	
Tipo - Type	Kg
Sae 30w	1,4