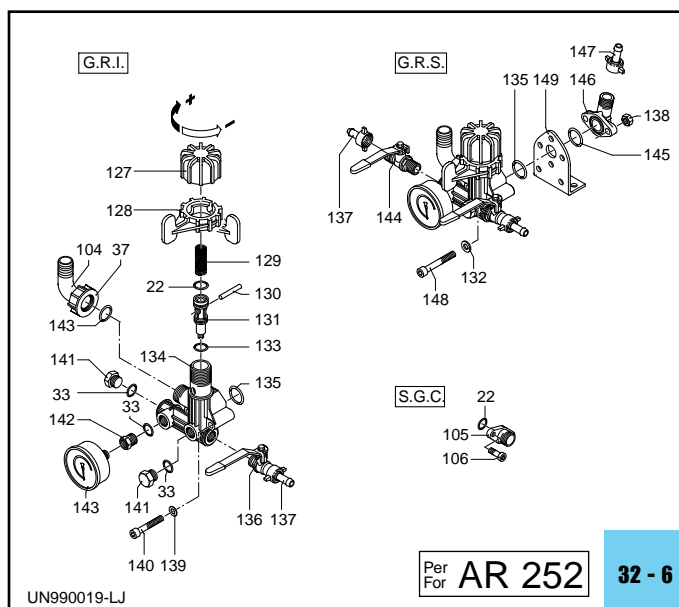
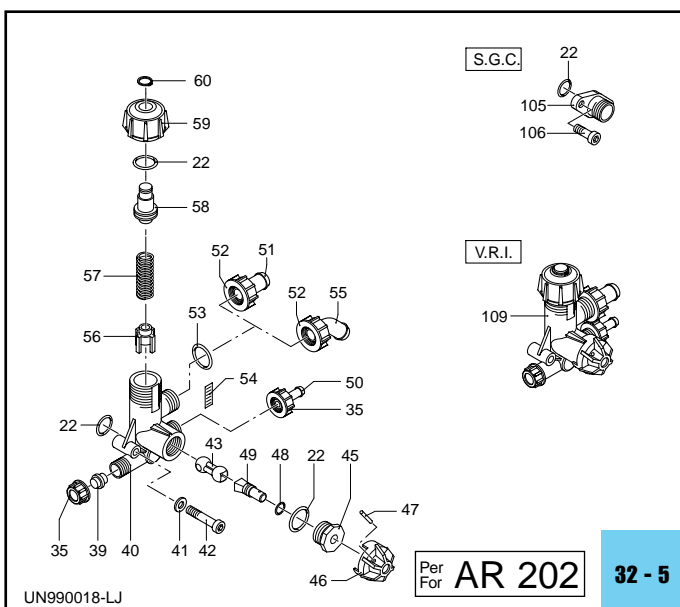
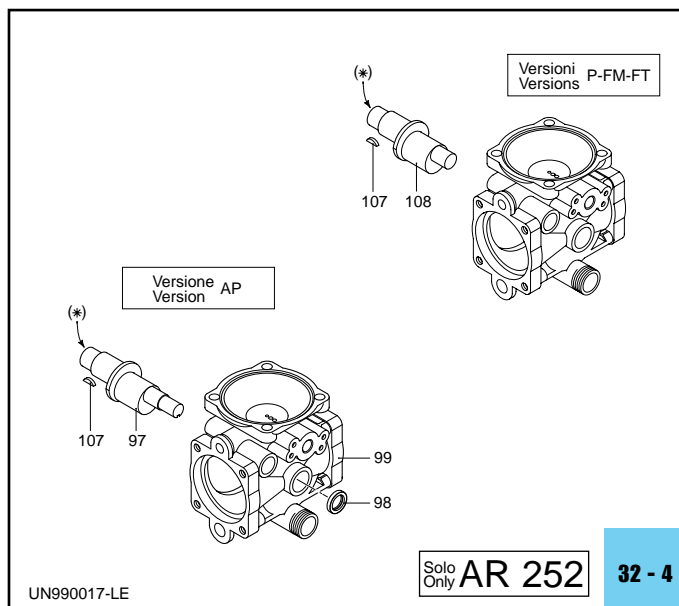
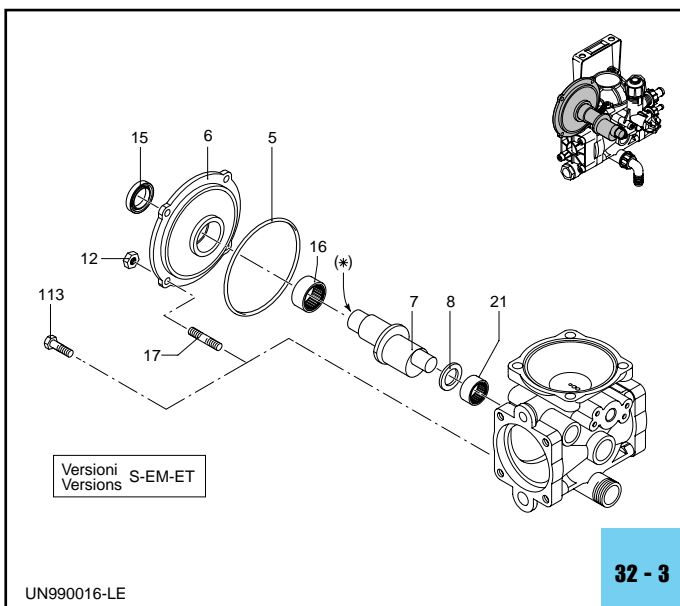
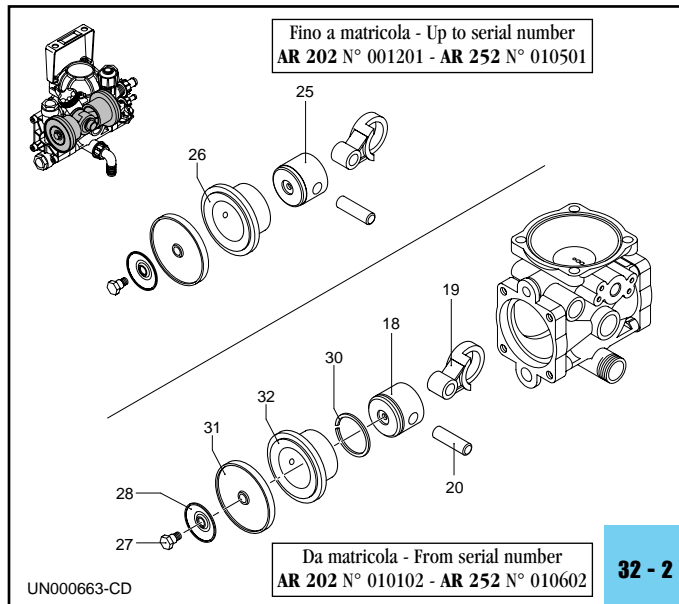
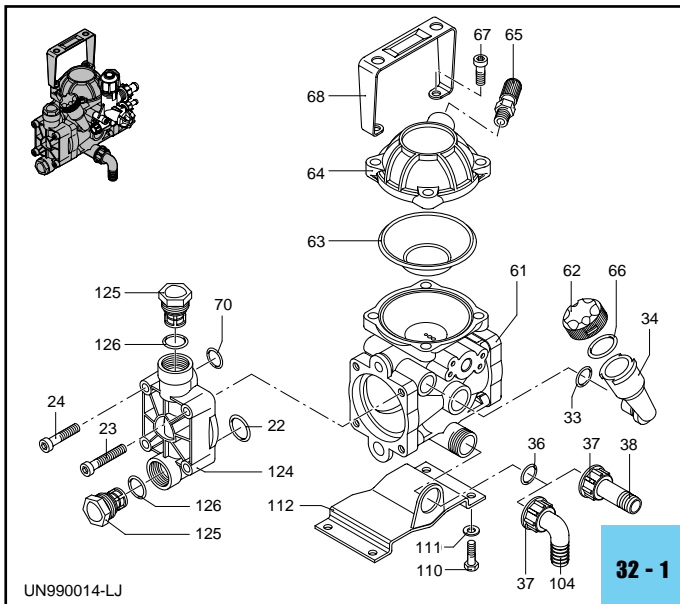


AR 202 - AR 252

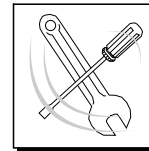
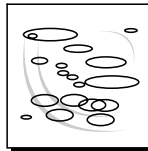
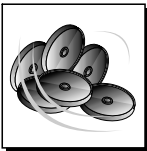


Tel: +49(0) 7662/233 - Fax: /8384
info@landtechnik-sexauer.de



| Pos. | Cod. | Descrizione | Description | Q.ty | Note |
|------|---------|-----------------------|--------------------|------|-----------------|
| 5 | 800380 | OR ø 97x1,6 | O-Ring | 1 | |
| 6 | 800020 | Flangia supp. albero | Flange | 1 | |
| 7 | 800174 | Albero ecc. "S-EM-ET" | "S-EM-ET" shaft | 1 | AR 202 (G) |
| 7 | 800170 | Albero ecc. "S-EM-ET" | "S-EM-ET" shaft | 1 | AR 252 (C) |
| 8 | 800160 | Distanziale | Spacer | 1 | |
| 12 | 390440 | Dado M 6 | Nut | 4 | |
| 15 | 800200 | Anello tenuta | Seal | 1 | |
| 16 | 800180 | Boccola a rullini | Roller bushing | 1 | |
| 17 | 550330 | Prigioniero M 6x34 | Stud | 4 | |
| 18 | 802070 | Pistone | Piston | 2 | |
| 19 | 800140 | Biella | Connecting rod | 2 | |
| 20 | 800130 | Spinotto | Piston pin | 2 | |
| 21 | 480370 | Boccola a rullini | Roller bushing | 1 | |
| 22 | 480440 | OR ø 17,13x2,62 | O-Ring | 5 | |
| 23 | 680360 | Vite TCEI M 8x50 | Bolt | 1 | |
| 24 | 800220 | Vite TCEI M 8x45 | Bolt | 7 | |
| 25 | 800120 | Pistone | Piston | 2 | |
| 26 | 800112 | Camicia | Sleeve | 2 | AR 202 |
| 26 | 800113 | Camicia | Sleeve | 2 | AR 202 (Viton) |
| 26 | 800110 | Camicia | Sleeve | 2 | AR 252 |
| 26 | 800111 | Camicia | Sleeve | 2 | AR 252 (Viton) |
| 27 | 800090 | Perno membrana | Diaphragm pin | 2 | |
| 27 | 800091 | Perno membrana | Diaphragm pin | 2 | Per / For Viton |
| 28 | 800350 | Piatello | Plate | 2 | |
| 30 | 802080 | Segmento | Piston ring | 2 | |
| 31 | 800080 | Membrana | Diaphragm | 2 | Gomma |
| 31 | 800081 | Membrana | Diaphragm | 2 | Viton |
| 31 | 800085 | Membrana | Diaphragm | 2 | Desmopan |
| 31 | 800086 | Membrana | Diaphragm | 2 | H.P.D.S. |
| 32 | 802060 | Camicia | Sleeve | 2 | AR 202 |
| 32 | 802061 | Camicia | Sleeve | 2 | AR 202 (Viton) |
| 32 | 802050 | Camicia | Sleeve | 2 | AR 252 |
| 32 | 802051 | Camicia | Sleeve | 2 | AR 252 (Viton) |
| 33 | 740290 | OR ø 14x1,78 | O-Ring | 4 | |
| 34 | 801960 | Serbatoio olio | Oil tank | 1 | |
| 35 | 800520 | Girello 3/8" G | Ring nut | 2 | |
| 36 | 390180 | OR ø 18,72x2,62 | O-Ring | 1 | |
| 37 | 550450 | Girello 3/4" G | Ring nut | 2 | |
| 38 | 800340 | Portagomma ø 20 | Hose | 1 | |
| 39 | 800540 | Tappo | Plug | 1 | |
| 40 | 800400 | Corpo valvola reg. | Valve body | 1 | |
| 41 | 550331 | Rosetta ø 6,5 | Washer | 2 | |
| 42 | 800410 | Vite TCEI M 6x40 | Bolt | 2 | |
| 43 | 800430 | Valvola | Valve | 1 | |
| 45 | 800500 | Ghiera | Ring nut | 1 | |
| 46 | 800510 | Manopola apertura | Knob | 1 | |
| 47 | 390330 | Spina elast.spir. | Pin | 1 | |
| 48 | 800560 | OR ø 8,73x1,78 | O-Ring | 1 | |
| 49 | 800490 | Perno ruotismo | Pivot | 1 | |
| 50 | 800530 | Tubetto ø 10 | Hose | 1 | |
| 51 | 800670 | Tubetto ø 15 | Hose | 1 | |
| 52 | 800680 | Girello M 22x1,5 | Ring nut | 1 | |
| 53 | 740290 | OR ø 14x1,78 | O-Ring | 1 | |
| 54 | 800480 | Adesivo scala atm | Atm scale adhesive | 1 | |
| 55 | 1200860 | Curva 45° ø 13 | 45° Elbow | 1 | |
| 56 | 800440 | Guida inferiore molla | Lower spring guide | 1 | |

| Pos. | Cod. | Descrizione | Description | Q.ty | Note |
|------|---------|-------------------------|-------------------------|------|--------------|
| 57 | 800450 | Molla | Spring | 1 | |
| 58 | 800460 | Guida superiore molla | Upper spring guide | 1 | |
| 59 | 800470 | Manopola regolazione | Adjustment knob | 1 | |
| 60 | 480550 | Anello seeger | Circlip | 1 | |
| 61 | 800010 | Corpo pompa "SP" | Pump body "SP" | 1 | |
| 62 | 550057 | Tappo serbatoio olio | Oil tank cap | 1 | |
| 63 | 800190 | Semicamera aria inf. | Semi air chamber | 1 | Gomma |
| 63 | 800191 | Semicamera aria inf. | Semi air chamber | 1 | Viton |
| 64 | 800230 | Semisfera superiore | Upper air chamber | 1 | Nera / Black |
| 64 | 800232 | Semisfera superiore | Upper air chamber | 1 | Rossa / Red |
| 65 | 800650 | Valvola di gonfiaggio | Valve | 1 | |
| 66 | 550040 | OR ø 26,65x2,62 | O-Ring | 1 | |
| 67 | 540290 | Vite TCEI M 8x25 | Bolt | 4 | |
| 68 | 800390 | Maniglia | Handle | 1 | |
| 70 | 800210 | OR ø 13,10x2,62 | O-Ring | 2 | |
| 97 | 800173 | Albero ecc. passante | Through-shaft | 1 | AR 252 (F) |
| 98 | 800960 | Anello tenuta | Seal ring | 1 | |
| 99 | 800011 | Corpo pompa "AP/SP" | Pump body "AP/SP" | 1 | |
| 104 | 550460 | Curva ø 18 | Elbow | 2 | |
| 105 | 800692 | Flangia mand. 1/2" G | Flange | 1 | |
| 106 | 880280 | Vite TCEI M 6x18 | Bolt | 2 | |
| 107 | 800590 | Linguetta 4x5 | Key | 1 | |
| 108 | 800175 | Albero ecc. "P-FM-T" | "P-FM-T" shaft | 1 | AR 202 (H) |
| 108 | 800171 | Albero ecc. "P-FM-T" | "P-FM-T" shaft | 1 | AR 252 (D) |
| 109 | 1912 | Valvola regolazione | Regulating valve | 1 | |
| 110 | 180431 | Vite TE M 8x16 | Bolt | 2 | |
| 111 | 380241 | Rosetta ø 8,5 | Washer | 2 | |
| 112 | 800311 | Piede puleggia | Pulley base | 1 | |
| 113 | 320350 | Vite TE M 6x12 | Bolt | 4 | |
| 124 | 801940 | Testa | Head | 2 | |
| 125 | 809060 | Valvola completa | Valve assembly | 4 | |
| 126 | 880830 | OR ø 15,54x2,62 | O-Ring | 4 | |
| 127 | 1880220 | Manopola | Adjustment knob | 1 | |
| 128 | 1880210 | Ghiera sgancio press. | Ring nut | 1 | |
| 129 | 1880330 | Molla | Spring | 1 | |
| 130 | 1880240 | Spinotto | Pin | 1 | |
| 131 | 1889201 | Otturatore | Jet | 1 | |
| 132 | 390311 | Rosetta 8,5x17x1,5 | Washer | 2 | |
| 133 | 1880260 | OR ø 15,08x2,62 | O-Ring | 1 | |
| 134 | 1880200 | Corpo valvola | Valve body | 1 | |
| 135 | 1140450 | OR ø 20,24x2,62 | O-Ring | 1 | |
| 136 | 130491 | Rub. 3/8"-1/2" G (M) DX | Right valve | 1 | ex 30491 |
| 137 | 110131 | Racc. 1/2" G+tub. ø10 | Fitting 1/2" G+hose ø10 | 2 | ex 10131 |
| 138 | 390270 | Dado M 8 | Nut | 2 | |
| 139 | 550331 | Rosetta 6,5 | Washer | 2 | |
| 140 | 801080 | Vite TCEI M 6x50 | Bolt | 2 | |
| 141 | 130171 | Tappo 3/8" G | Plug | 1 | |
| 142 | 1880250 | Riduzione manometro | Pipe reducer | 1 | |
| 143 | 1880340 | Manometro | Pressure gauge | 1 | |
| 144 | 130492 | Rub. 3/8"-1/2" G (M) SX | Left valve | 1 | ex 30492 |
| 145 | 550350 | OR ø 23,81x2,62 | O-Ring | 1 | |
| 146 | 450145 | Flangia raccordo | Flange | 1 | |
| 147 | 110130 | Racc. 1/2" G+tub. ø13 | Fitting 1/2" G+hose ø13 | 1 | ex 10130 |
| 148 | 1880310 | Vite TCEI M 8x65 | Bolt | 2 | |
| 149 | 320406 | Staffa GS | Bracket | 1 | |
| 150 | 880830 | OR ø 15,54x2,62 | O-Ring | 1 | |



| KIT 1927 Membrane gomma Buna diaphragms | |
|---|------|
| Pos. | Q.ty |
| 31 | 2 |

| KIT 2408 Valvole Valves | |
|-------------------------------|------|
| Pos. | Q.ty |
| 125 | 4 |
| 126 | 4 |

| KIT 2409 OR O-Rings | |
|---------------------------|------|
| Pos. | Q.ty |
| 5 | 1 |
| 22 | 5 |
| 33 | 4 |
| 36 | 1 |
| 48 | 1 |
| 53 | 1 |
| 66 | 1 |
| 70 | 2 |
| 126 | 4 |
| 133 | 1 |
| 135 | 1 |
| 145 | 1 |

| KIT 2410 Pronto intervento Maintenance repair | | | |
|---|------|------|------|
| Pos. | Q.ty | Pos. | Q.ty |
| 5 | 1 | 70 | 2 |
| 22 | 5 | 91 | 2 |
| 27 | 1 | 125 | 4 |
| 28 | 1 | 126 | 4 |
| 31 | 2 | | |
| 33 | 1 | | |
| 34 | 1 | | |
| 36 | 1 | | |
| 48 | 1 | | |
| 53 | 1 | | |
| 62 | 1 | | |
| 63 | 1 | | |

| KIT 1910 Pronto intervento VRI VRI Maintenance repair | |
|---|------|
| Pos. | Q.ty |
| 5 | 1 |
| 22 | 5 |
| 33 | 4 |
| 36 | 1 |
| 48 | 1 |
| 53 | 1 |
| 70 | 2 |
| 126 | 4 |
| 133 | 1 |
| 135 | 1 |
| 145 | 1 |

| KIT 2411 Pronto intervento GR 30 GR 30 Maintenance repair | |
|---|------|
| Pos. | Q.ty |
| 5 | 1 |
| 22 | 5 |
| 33 | 4 |
| 36 | 1 |
| 48 | 1 |
| 53 | 1 |
| 70 | 2 |
| 126 | 4 |
| 133 | 1 |
| 135 | 1 |
| 145 | 1 |